

# COMOS integration for Teamcenter

## Manage, share and re-use COMOS information to ensure consistency, improve collaboration and shorten time-to-market

### Benefits

- Enables your enterprise to visualize, search and cross-probe COMOS plant hierarchy data with COMOS P&ID data, all within Teamcenter
- Imports and connects COMOS engineering information with other data sources in the areas of plant CAD, mechanical CAD, BIM, simulation, ERP, CMMS and EAM
- Drives accuracy and ensures consistency by linking Teamcenter requirement specifications to COMOS engineering objects while standardizing the change process and associated approval workflows
- Delivers continuous, digital information handover with data verification and validation capabilities that help automate the population of data into leading ERP, CMMS and EAM systems

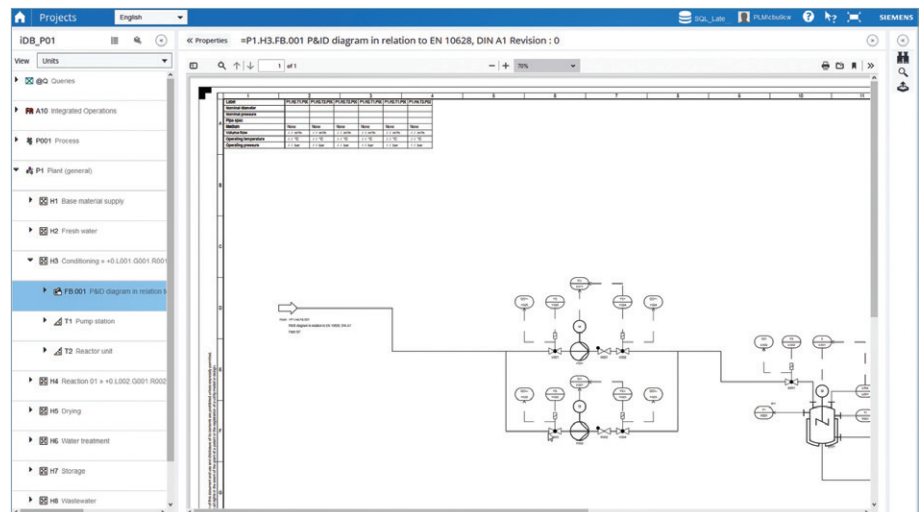
### Summary

Teamcenter® for Capital Asset Lifecycle Management software provides robust information management for today's capital assets, such as a plant, facility or factory. It is an open, collaborative environment ensuring consistent, quality asset and business information is shared between organizations, users and applications. Teamcenter delivers meaningful intelligence by consolidating siloed computer-aided design/

building information modeling (CAD/ BIM) models and connecting them with information from other vital sources such as supply chain, engineering contractors and related enterprise systems such as enterprise resource planning (ERP) and computerized maintenance management systems (CMMS).

### Teamcenter integration for COMOS

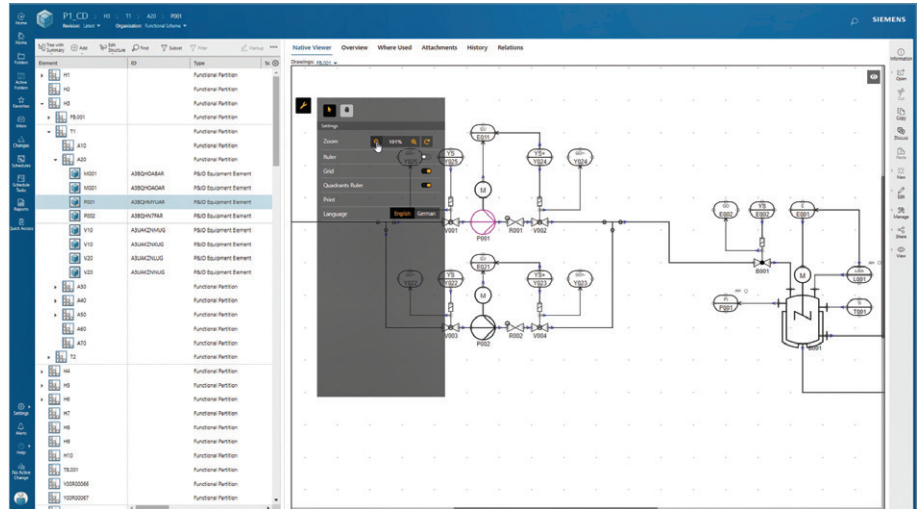
The Teamcenter integration for COMOS reduces your development cycle times and costs by enhancing your COMOS environment through bi-directional integration with Teamcenter for Capital Asset Lifecycle Management. The integration provides access to a full range of information lifecycle management capabilities to further optimize your design and engineering development processes as well as enable a continuous, digital information handover to the operational tools and systems used by plant and facility owner operators. Teamcenter is a part of the Xcelerator™



# COMOS integration for Teamcenter

## Features

- Robust, bi-directional integration to ensure consistent workflows and data transfer between Teamcenter and COMOS
- Import the COMOS 1D/2D class attribute library (plant hierarchy) into Teamcenter and merge it with third party engineering detailed design systems
- Utilize closed-loop change management for COMOS plant objects inside Teamcenter, enabling enterprise-wide, automated impact analysis on connected requirements, documents and data
- Author requirement specifications in Teamcenter and connect them to the COMOS objects with access from the COMOS web user interface
- Verify and validate requirements against the engineering design to ensure completeness, correctness and consistency by leveraging Teamcenter workflows and business processes
- Leverage COMOS as a master tag registry to manage and validate tag data against the built-in COMOS attribute library (CFIHOS compliant)



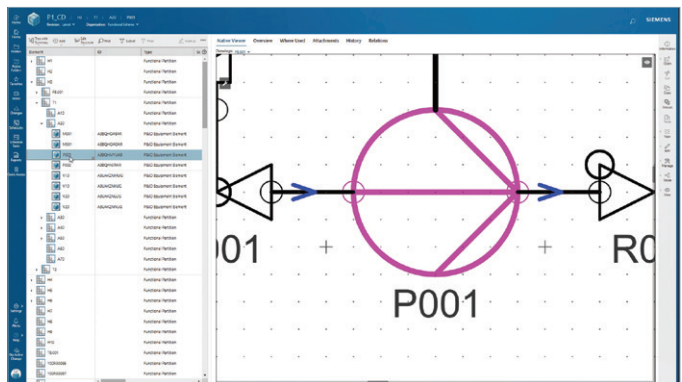
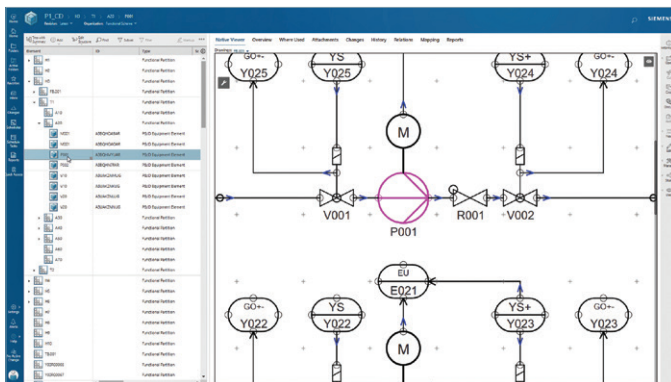
portfolio, a comprehensive and integrated portfolio of software and services from Siemens Digital Industries Software.

### Streamline product and process development

The Teamcenter integration for COMOS enables design information created in COMOS to be captured, controlled and shared by your organization in a highly secure environment with version management and access controls to ensure the right people get the right information at the right time.

Providing a single source of product and process data, the capabilities go beyond workgroup design data management.

The integration is optimized for scalability across a wide area network, enabling geographically distributed design centers to connect to a single data source. Using this integration, design teams can quickly search and access COMOS plant hierarchy and documents to eliminate time wasted trying to find and share design information. The integration also enables your organization to eliminate unnecessary change orders by ensuring everyone is working from the latest design information. The Teamcenter integration for COMOS is a design-centric solution that leverages existing Teamcenter rules while enabling COMOS data to be incorporated into a multi-CAD environment.

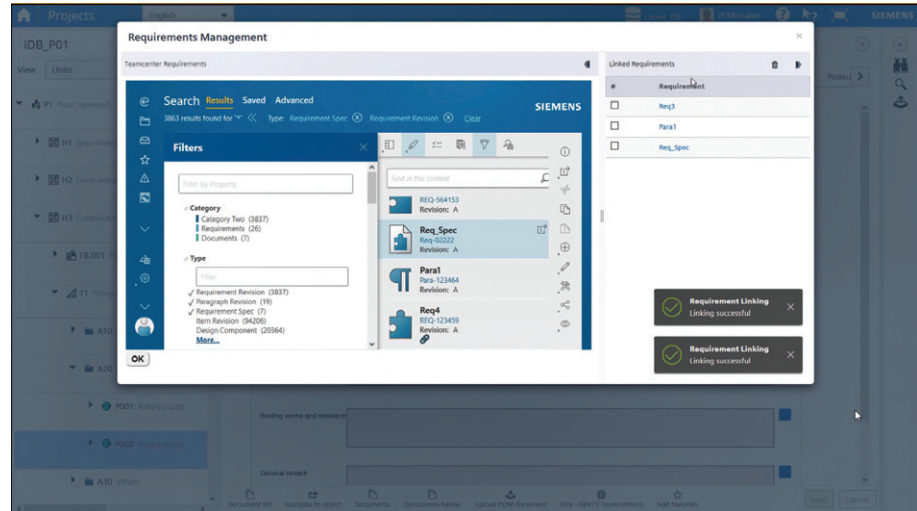


**Automate and extend key business processes**

Teamcenter for Capital Asset Lifecycle Management enables you to make the transition from document-centric business processes to data-centric business processes, contributing to improved project delivery timelines and data consistency across the asset lifecycle. By implementing consistent work processes that follow across a variety of data sources, you can significantly reduce errors and rework. A key driver of this savings is delivered through closed-loop change management where the change workflows and associated work packages extend across multiple disciplines, resulting in faster review and approval processes. Additional business processes can be streamlined including requirements management, which enables you to verify and validate the engineering design to ensure completeness, correctness and consistency. Furthermore, our document management capabilities deliver centrally managed workflows to facilitate the document revision, review and release processes.

**Modern and intuitive user interface**

With the Teamcenter integration for COMOS, you can extend the value of COMOS, by accessing this wealth of business process functionality while using the Teamcenter Active Workspace

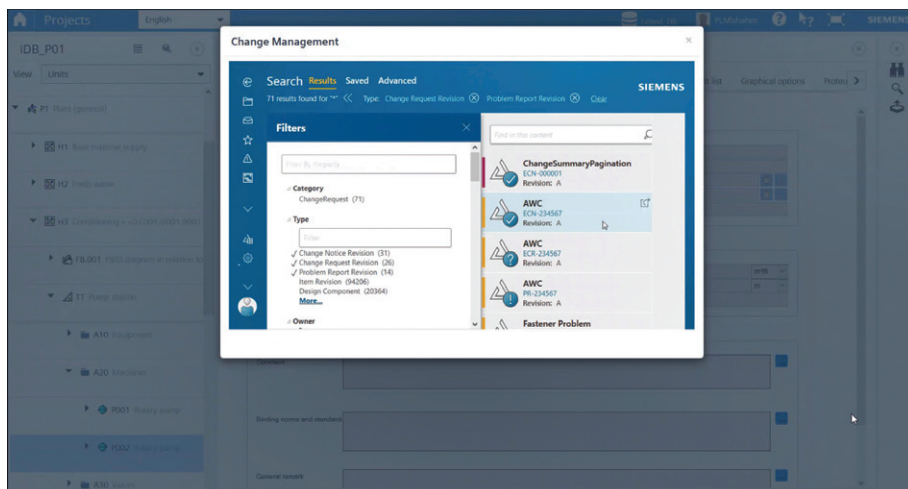


user interface (UI). Teamcenter Active Workspace is a simple and intuitive UI that enables users to work efficiently in a collaborative environment while utilizing intuitive user search, workflow, change management, impact analysis and more. The environment can be extended to include non-CAD users through the browser-based user interface of Teamcenter Active Workspace or integration with Microsoft® Outlook®.

**Teamcenter advantage**

Teamcenter for Capital Asset Lifecycle Management allows you to manage data from various engineering applications and connect it with other data

sources in the areas of plant CAD, mechanical CAD, BIM and simulation. The result is an information management solution built to manage change, no matter if it is a plant revamp, major brownfield project, or the result of new regulatory issues. Through key partnerships and integrations, this mature enterprise data is managed, captured and then delivered to your ERP system, CMMS and/or enterprise asset management (EAM) system, ensuring consistent and quality information is provided and kept up to date.



**Siemens Digital Industries Software**  
[siemens.com/software](https://www.siemens.com/software)

Americas	+1 314 264 8499
Europe	+44 (0) 1276 413200
Asia-Pacific	+852 2230 3333

© 2021 Siemens. A list of relevant Siemens trademarks can be found [here](#). Other trademarks belong to their respective owners.