

# Siemens Virtual Startup Day

Taking product development to the next digital level



Solution  
Partner

Digital Industries  
Software

SIEMENS

## Next Generation Manufacturing Workflow

3D Scanning – Solid Edge – 3D Printing

© Evolusi 3D 2020

Realize innovation.



# Evolusi 3D | Founder, CEO



Solution  
Partner

Digital Industries  
Software

SIEMENS

## Eric Rudolf The.

3D Technopreneur Indonesia

Focus on Helping People Through  
3D Technology since 2018

Gold Einscan Expert 3D Scanner

Transforming Indonesia to the Next Level in  
Industry 4.0



# Siemens Solution and Academic Partner



Solution  
Partner

Digital Industries  
Software

SIEMENS



## 3D Technology Provider in Indonesia

3D Scanning | 3D Printing

3D Service | 3D Education

**EVOLVE** believe about **3D Technology**  
**GROW** together

**Reliable 3D Partner** in Indonesia, Who's bring  
Education and Industry to the **Next Level**  
through **3D Technology**

# World Become More Complex More Personalize Product



Solution Partner  
Digital Industries Software



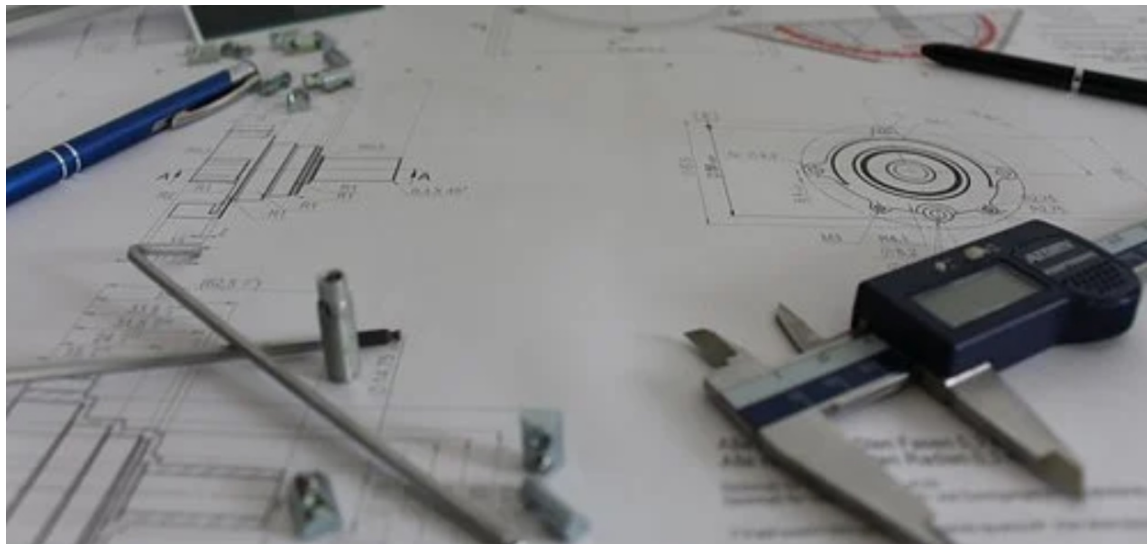
# Traditional Method



Solution  
Partner  
Digital Industries  
Software

SIEMENS

## Manual Measurement



## Design with physical models E.g. wood or clay or wax



# Next Generation Manufacturing Workflow



Solution  
Partner

Digital Industries  
Software



## 3D Scanning



## YOUR DESIGN



## 3D Printing



REVERSE ENGINEERING  
CONVERGENT MODELING

- MESH MODEL
- B-REP MODEL

# 3D Scanning

**Transforming  
Object in to  
digital with  
complete  
shape and  
dimensions**



Solution  
Partner

Digital Industries  
Software

SIEMENS



# Solid Edge

Mechanical Design – Reverse Engineering

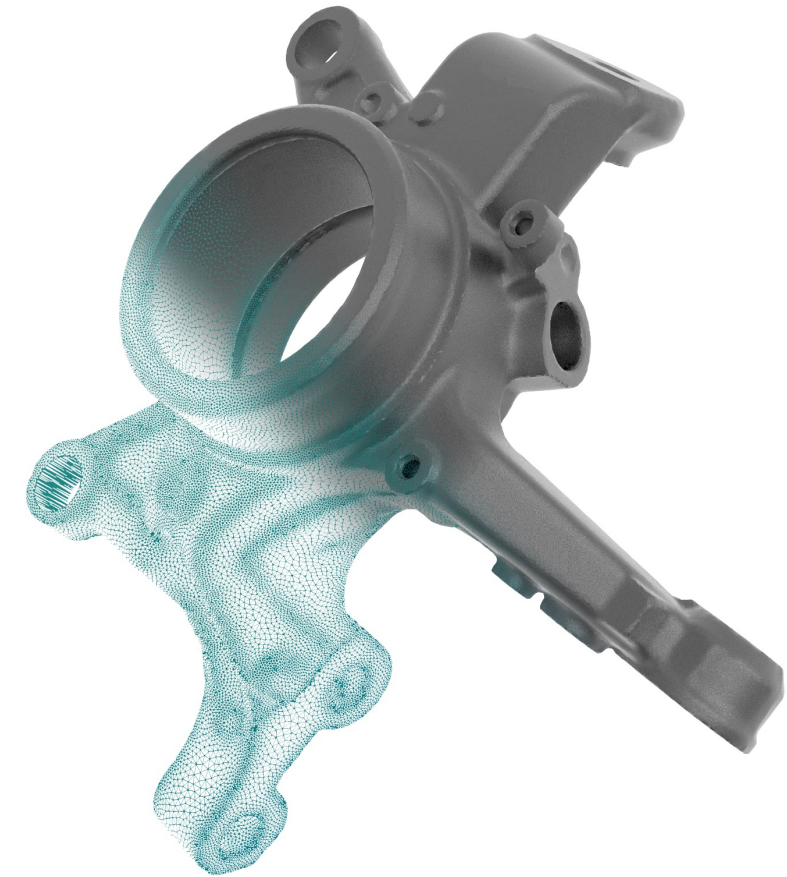


Solution  
Partner

Digital Industries  
Software

SIEMENS

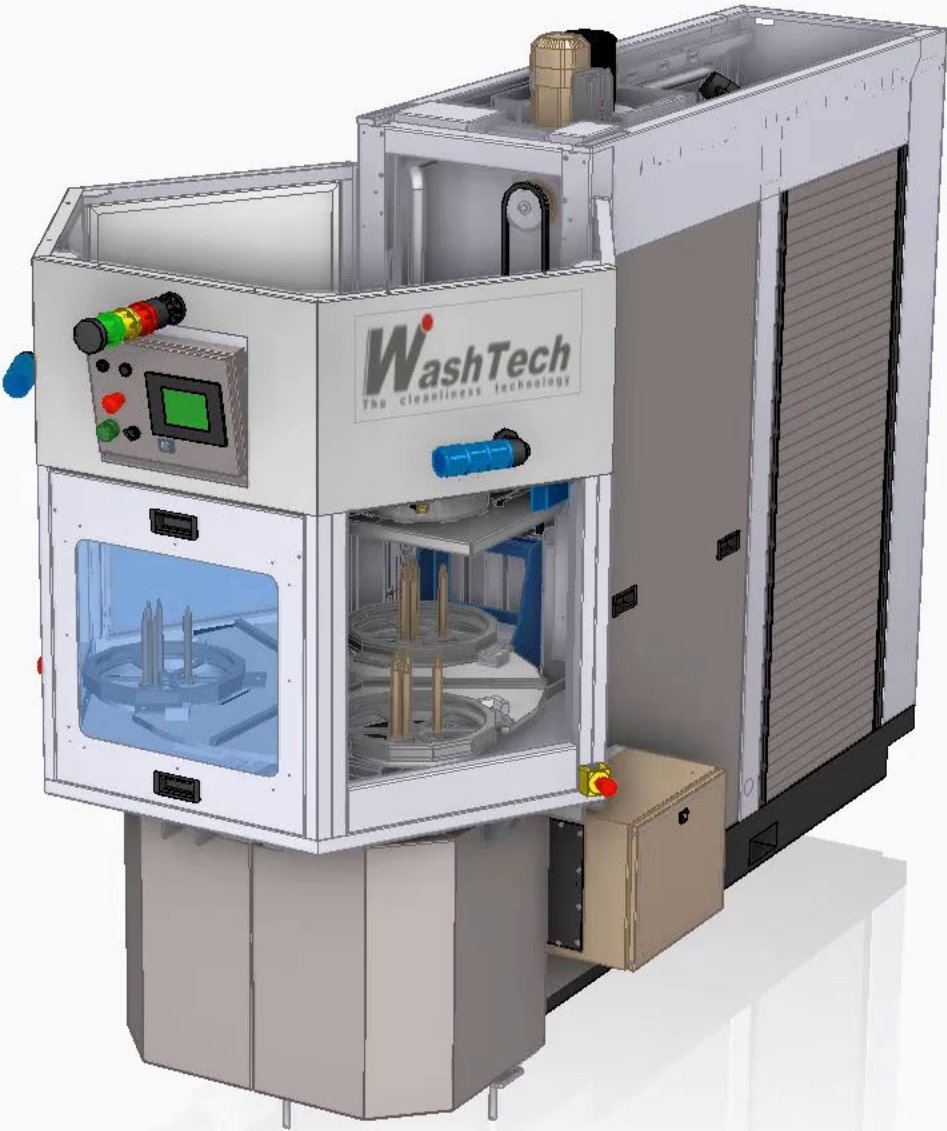
Scan, edit, and  
produce products  
faster with enhanced  
reverse engineering  
capabilities.



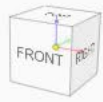


MF500 0000 ASSEMBLY 160...

- MF500-1000.asm
  - PMI
  - Coordinate Systems
  - Reference Planes
  - Sketches
    - MF500-1002.psm:1
    - MF500-1001.psm:1
    - MF500-1529.asm:1
    - MF500-1548.asm:1
    - MF500-1522.asm:1
    - MF500-1553.asm:1
    - MF500-1550.asm:1
    - MF500-1626.par:1
    - MF500-1556.asm:1
    - MF500-1544.asm:1
    - MF500-1555.asm:1
    - MF500-1557.asm:1
    - MF500-1539.asm:1
    - MF500-1411.par:1
    - MF500-1409.par:1
    - MF500-1155.par:1
    - MF500-1155.par:2
    - MF500-1558.asm:1
    - MF500-1540.asm:1
    - MF500-1552.asm:1
    - MF500-1559.asm:1
    - MF500-1580.par:1
    - MF500-1168.par:1
    - MF500-1157.par:1
    - MF500-1157.par:2
    - MF500-1611.par:1
    - MF500-1611.par:2
    - MF500-1561.asm:1
    - MF500-1562.asm:1
    - MF500-1413.par:1
    - MF500-1197.par:1
    - MF500-1158.par:1
    - MF500-1412.par:1
    - MF500-1584.par:1
    - MF500-1584.par:2
    - MF500-1188.par:1
    - MF500-1159.par:1
    - MF500-1165.par:1
    - MF500-1187.par:1
    - MF500-1196.par:1
    - MF500-1439.par:1
    - MF500-1584.par:3
    - MF500-1443.par:1
    - MF500-1626.par:2
    - MF500-1465.par:1
    - MF500-1459.par:1



No top level part selected.



# Solid Edge Reverse Engineering Modul

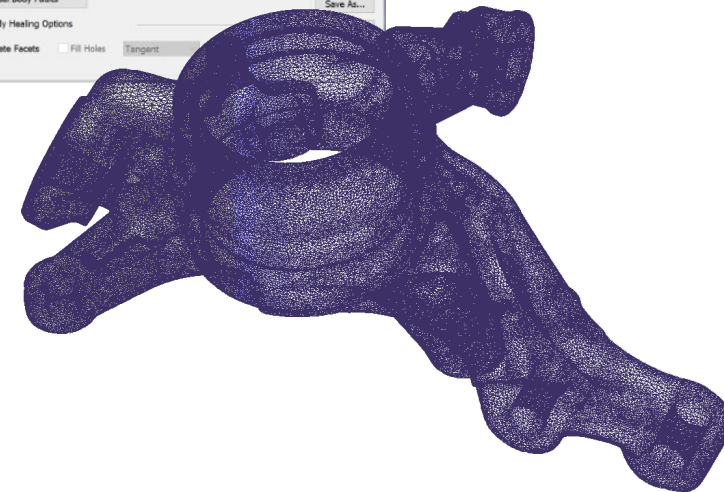
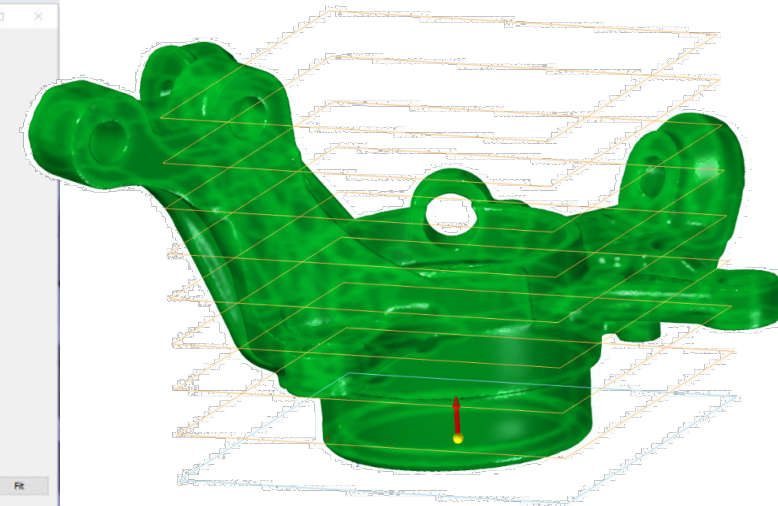
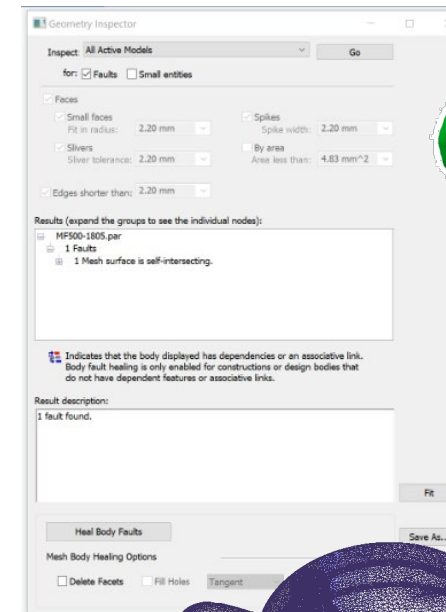


Solution  
Partner

Digital Industries  
Software

SIEMENS

- Improved performance
- Refine mesh geometry
- Align mesh models to base coordinate system
- Automated section sketches for reverse engineering workflows
- Automated repair of mesh faults



# 3D Printing

**Transforming  
Digital Object  
Become Real  
World Object**



Solution  
Partner

Digital Industries  
Software

SIEMENS



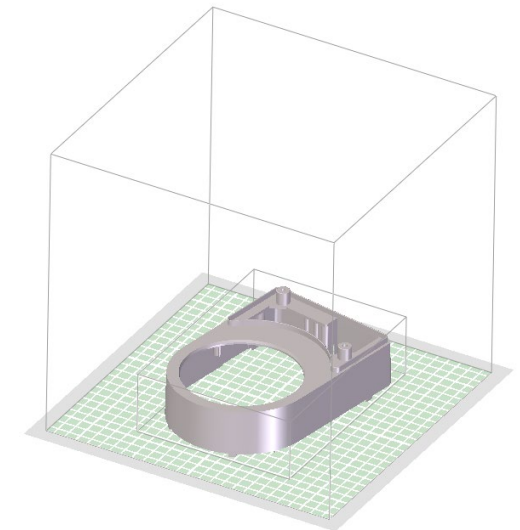
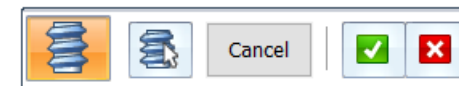
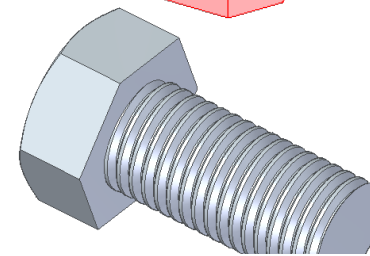
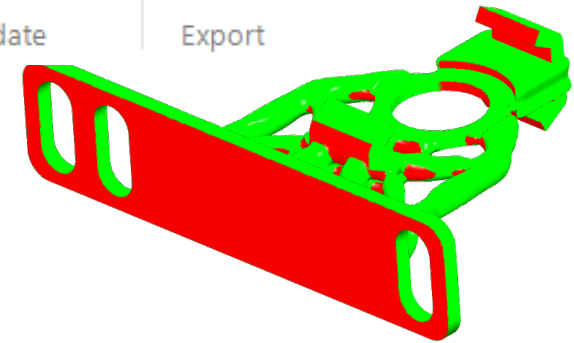
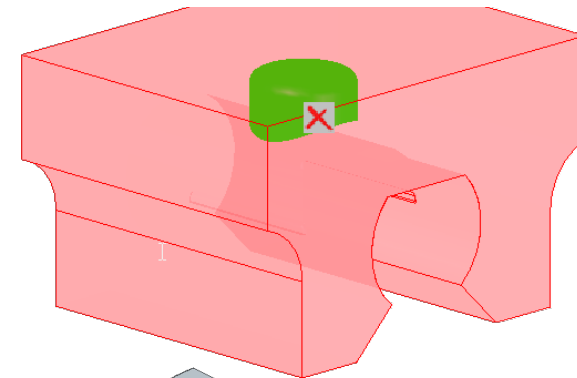
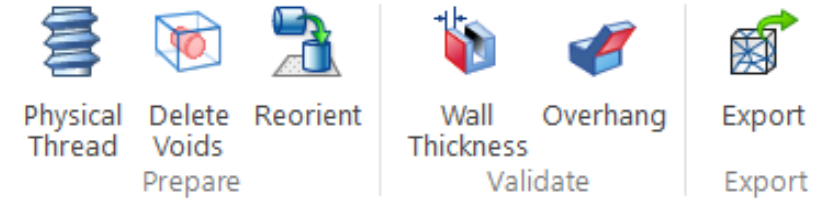
# Solid Edge 3D Printing - Additive Manufacturing



Solution  
Partner  
Digital Industries  
Software

SIEMENS

- Dynamic sectioning
- Creation of physical threads
- Overhang & wall thickness checks
- Delete voids
- Reorientation of model for printer





Solution  
Partner

Digital Industries  
Software

SIEMENS

# CASE STUDY: Kitchen Timer Broken Parts



Thank You  
eric@evolusi3d.com

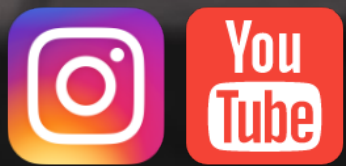


Solution  
Partner  
Digital Industries  
Software



**Evolusi 3D**

#BeMoreCreative



@Evolusi 3D

[links.evolusi3d.com](https://links.evolusi3d.com)