

NX CAD Design Certification

Study guide

Frequently asked questions, sample questions and preparatory learning path

Frequently asked questions

Academic users can receive special recognition for their knowledge and proficiency with NX™ software with the NX CAD Design Certification. NX is a part of the Xcelerator™ portfolio, a comprehensive and integrated portfolio of software and services from Siemens Digital Industries Software.

Who should attempt certification?

Certification is for any academic user seeking to validate their knowledge of NX software. Anyone who uses NX as part of their academic activities, including students and educators, can benefit from the program by emphasizing their skills and knowledge with certification from Siemens Digital Industries Software.

What version of NX is the exam based on?

The exam is based on the 1899 release of NX. In order to complete the exam, the user will need to have either 1899 or a later release installed, or the [free student download](#).

How much does the certification exam cost?

The NX CAD Design Certification exam is free of charge.

What happens if you do not pass the exam?

You may retake the exam at any time; there is no required waiting period between exams. You may retake the exam as many times as you like.

How long does certification last?

The certification is valid for a period of three years.

What you will receive when you become certified?

When you earn the NX CAD Design Certificate, you earn the right to share this designation to market your NX skills (on business cards, resumes and websites, including the NX Community site). You will also receive a certificate in PDF format as well as a digital badge.

How long does the exam take?

The certification exam consists of nine questions and users have up to three hours to complete the exam.

Where can I find the exam?

You will find the exam [here](#). Make sure you follow the [instructions](#) for registering!

NX CAD Design Certification

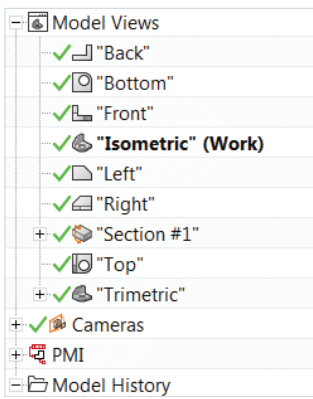
Note that these examples demonstrate the type of question you will encounter on the exam, but are not actual exam questions.

Sample test questions

Sample question 1

From Model Navigator, which view or views currently contains PMI entities?

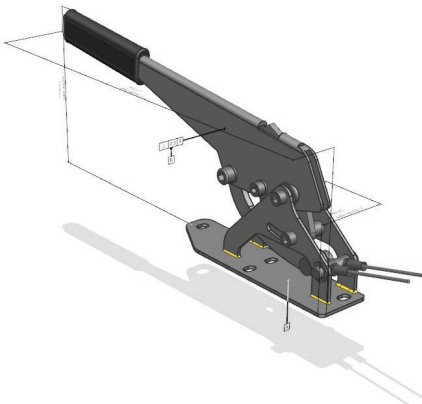
- A. Isometric
- B. Left
- C. Top
- D. Section #1 and Trimetric



Sample question 2

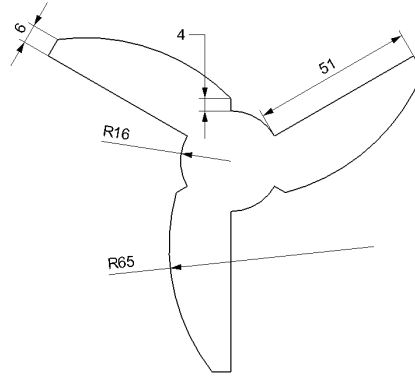
PMI entities can be displayed or shown on the assembly level, users must first:

- A. Display all the PMI in all the views
- B. Create PMI only on assembly level
- C. Add filter in PMI assembly filters
- D. Copy the PMI from the component level and paste into assembly



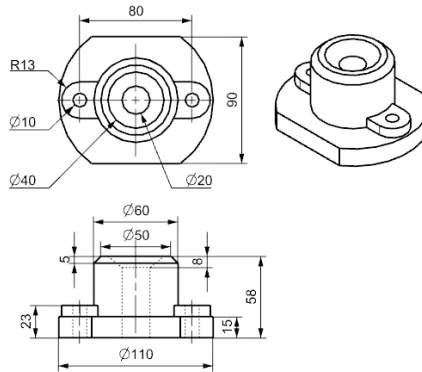
Sample question 3

Draw the sketch and calculate the area of the shaded region shown.



Sample question 4

Draw the model and calculate the volume.



Sample question 5

Open the given assembly. Add constrain to the component and the components are caster_fork, caster_axle and caster_wheel.

Add "2 to 2 center" constrain between "piston pin" and "piston".

Add "2 to 2 center" constrain between "connecting rod" and "piston".

Add "Touch Align" constrain between "connecting rod" and "piston pin".

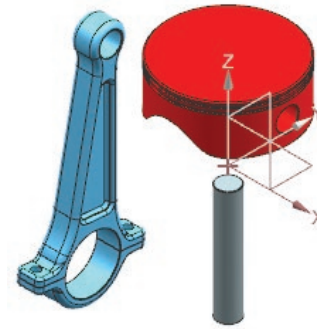
Add "Touch Align" constrain between "piston pin" and "piston".

Add "Angle" constrain between "TestingPart_8" and "connecting rod".

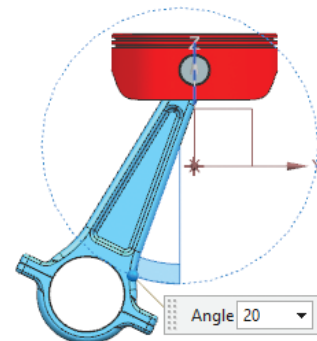
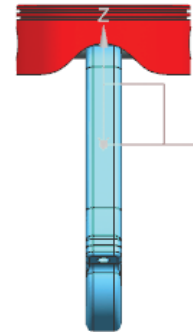
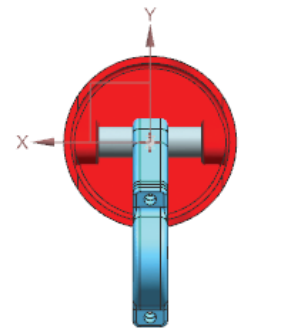
Calculate center of mass (Xcbar, Ycbar, Zcbar) of whole assembly.

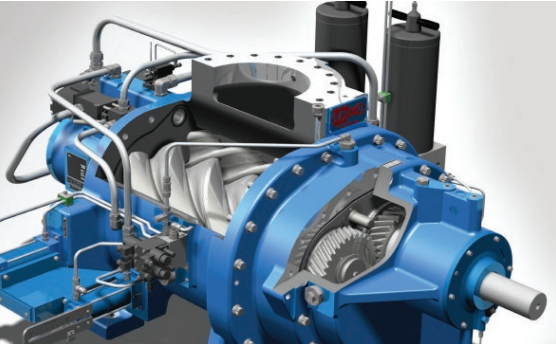
Sample question 5 continued

Before:



After:





Suggested learning path

We strongly suggest the use of Learning Advantage for exam preparation. All schools with active Siemens Digital Industries Software license agreements have free, unlimited access to Learning Advantage for all faculty and students. Learn more about free access to Learning Advantage at the [FAQ](#).

[Your first day with NX](#)

[Make design changes](#)

[Create basic models from sketches](#)

[Using NX Sketcher](#)

[Fit the pieces together](#)

[Create and update a drawing](#)

[Organize models](#)

[Design parts with sketches](#)

[Create a basic assembly](#)

[Constrain assemblies](#)

[Manage assemblies](#)

[Introduction to synchronous modeling](#)

[Synchronous modeling in NX](#)

[Your first day with NX assemblies](#)

[Creating assembly components](#)

[Working with NX assemblies](#)

[Constraining assembly components](#)

[Creating PMI dimensions and centerlines](#)

[Adding GD&T PMI to your model](#)

[Drafting fundamentals and drawing creation](#)

[Add drafting views](#)

Siemens Digital Industries Software
[siemens.com/software](https://www.siemens.com/software)

Americas +1 314 264 8499

Europe +44 (0) 1276 413200

Asia-Pacific +852 2230 3333

Email: academic.sisw@siemens.com

© 2021 Siemens. A list of relevant Siemens trademarks can be found [here](#). Other trademarks belong to their respective owners.

78712-C8 1/21 C